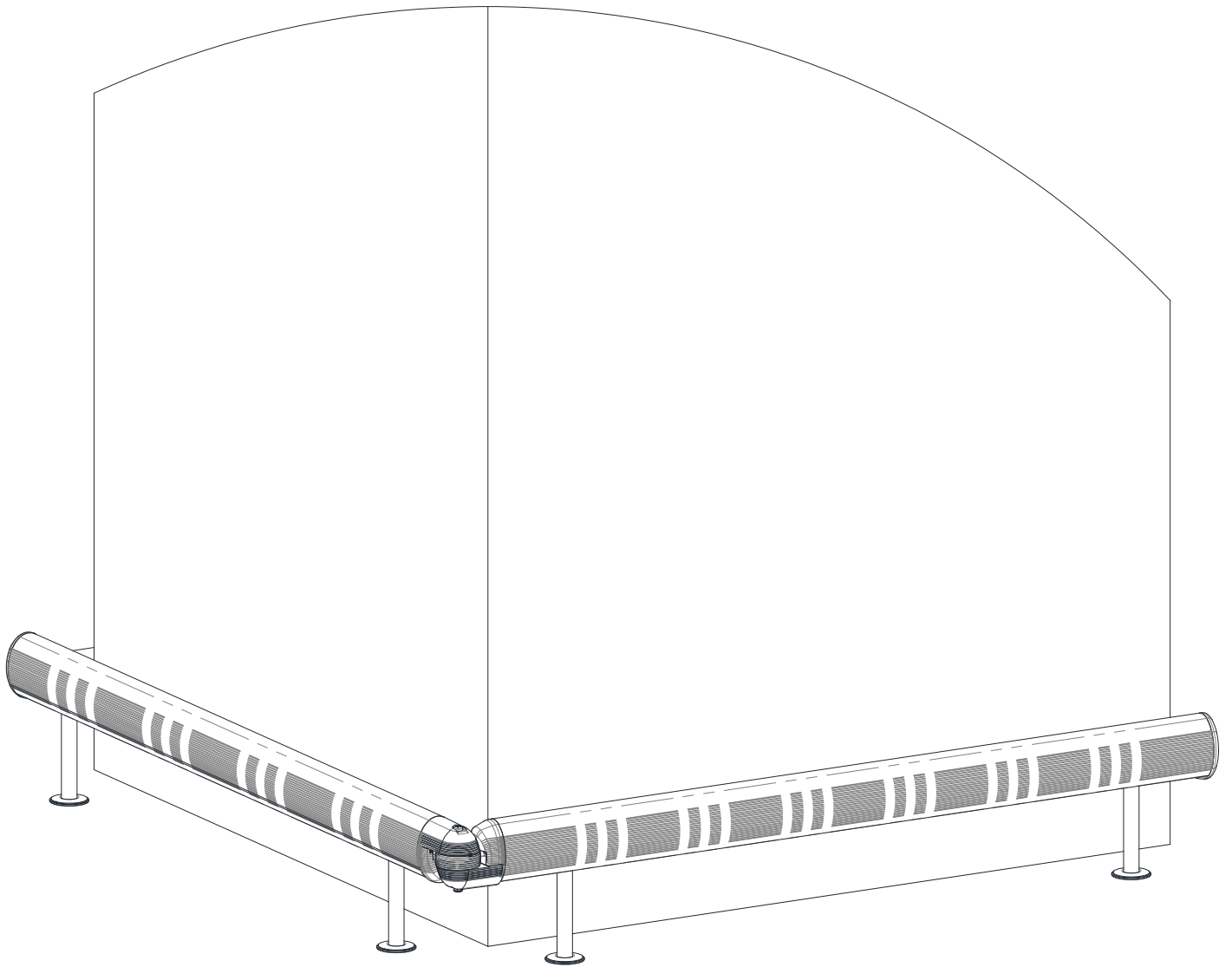


CartStopRE

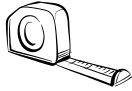
**Floor Mounted Rail System
and Shock Absorbing Flange anchor**



Tools and Equipment



Marker pen



Tape measure



Chop saw



Hammer drill



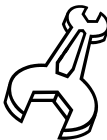
Ø30mm hammer drill bit



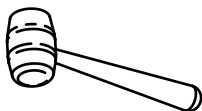
Philips Screwdriver



3mm allen key

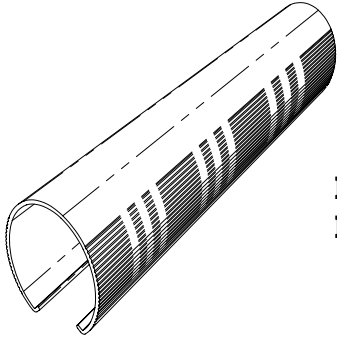


10mm spanner

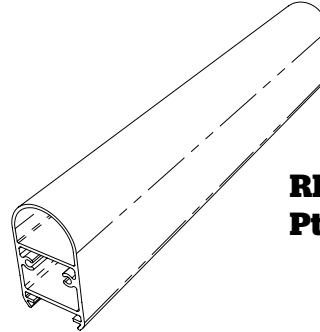


Rubber mallet

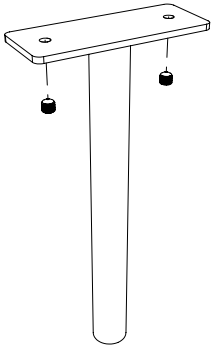
Parts & Fixings



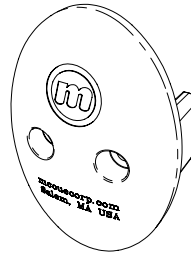
RE PVC Rigid Top
Pt. No. CSRV-Colour Code



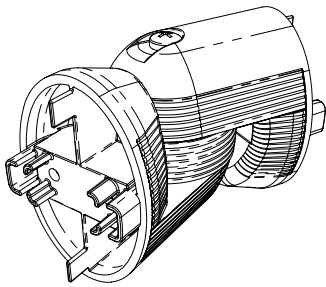
RE Aluminium Extrusion
Pt. No. CSRA-143



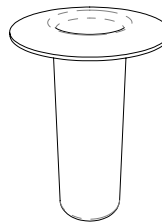
RE Stainless Steel Leg
Pt. No. CSL-10



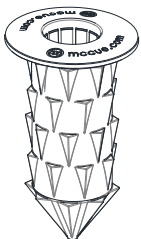
Aluminium End Cap
Pt. No. CSRE-A



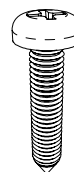
GreenGuard Roller Corner
Pt. No. CSRCS-Colour Code



Stainless Steel Flange
Pt. No. CSF-10



Shock Absorbing Flange Anchor
Pt. No. CSF-RFA



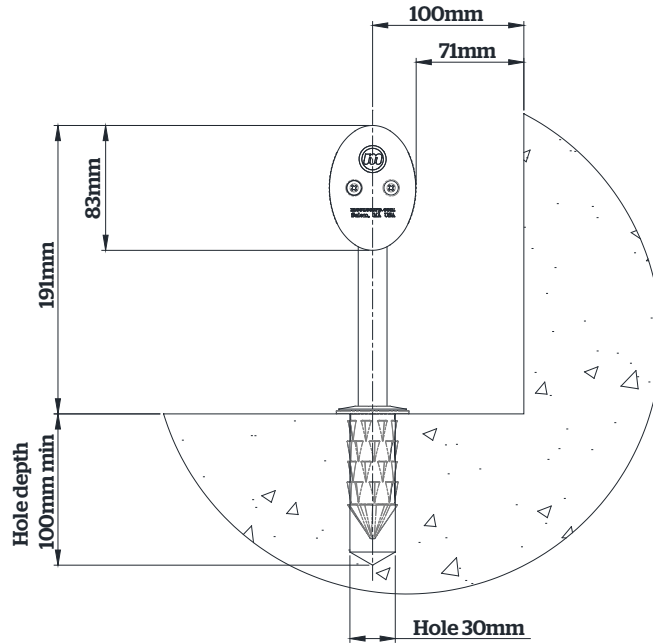
RE Assembly Screw
Pt. No. FXG-CSR

Installation Guide

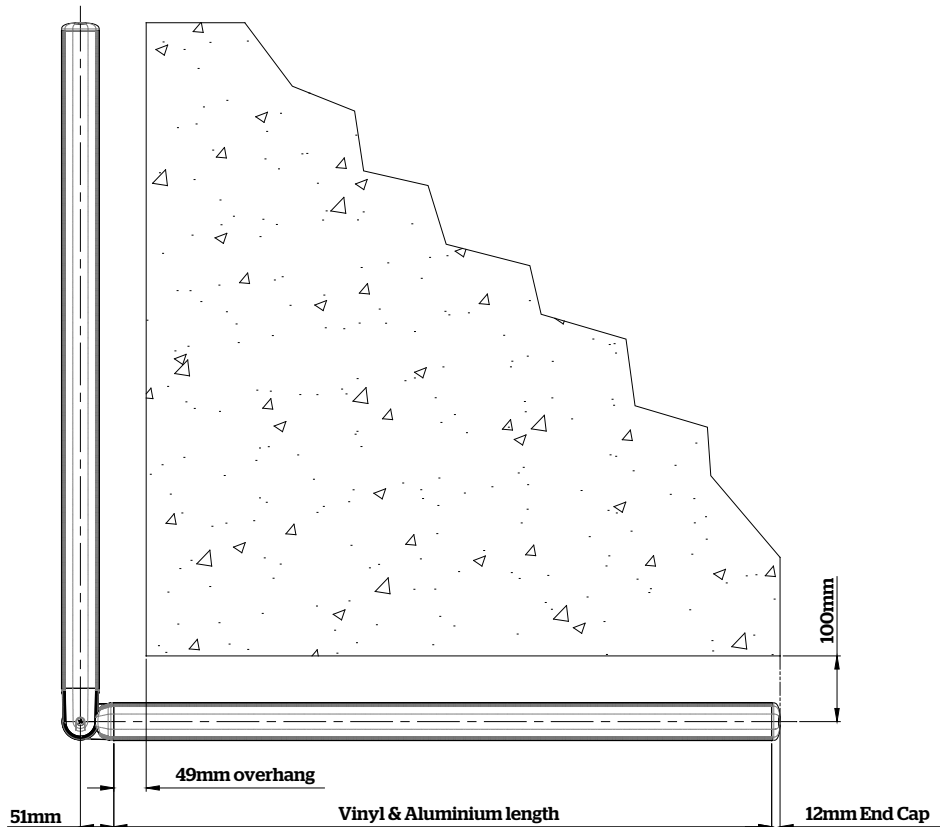
CartStopRE



General Layout



Corner Layout



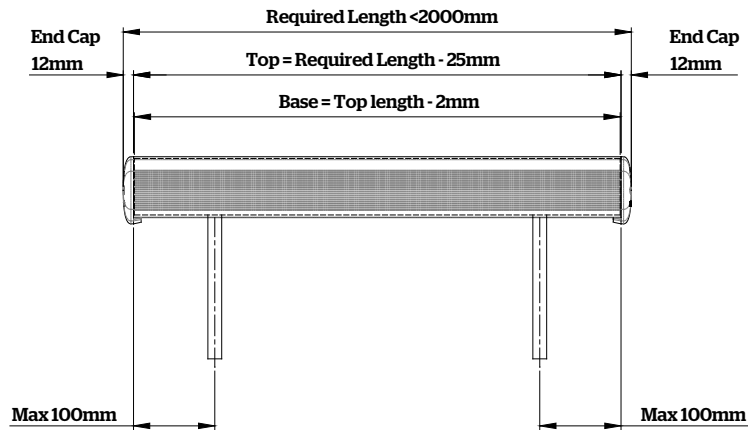
Installation Guide

CartStopRE

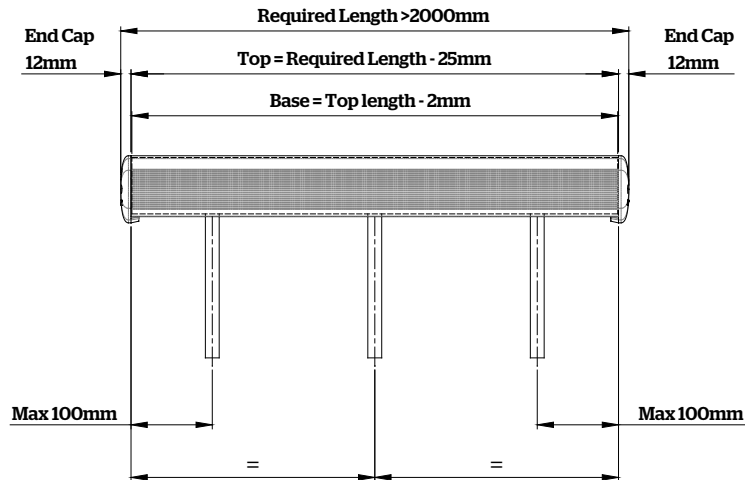


Assembly Length Details

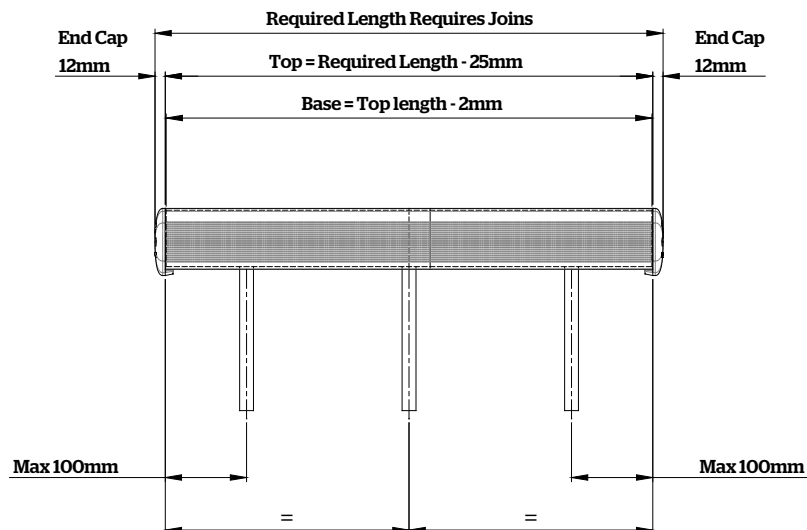
Overall lengths under 2m



Overall lengths over 2m



Overall lengths over 3.6m

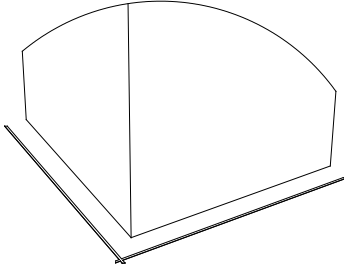


Installation Guide

CartStopRE

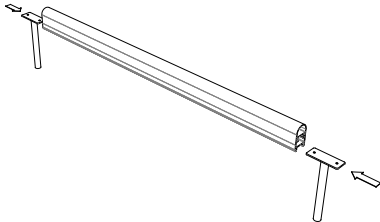


1.



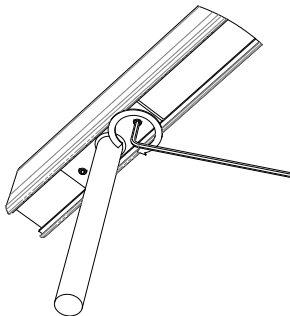
Refer to 'General Layout' details measure and mark out the fixture to be protected by CartStopRE and to get the required rail lengths
(Ref. Corner Layout and Assembly Length Details where applicable)

2.



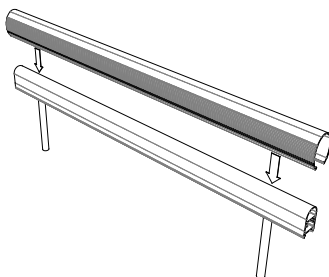
Cut the aluminium rail to the required length and slide legs into aluminium rail - ensure the cut rail is free from burrs and sharp edges

3.



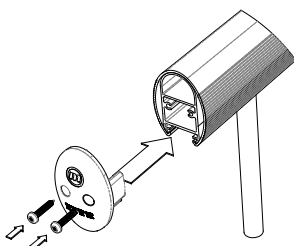
Using a 3mm Allen Key secure the legs 100mm from each end of the rail (ref. Assembly Detail)

4.



Cut vinyl to the required length (same length as aluminium rail) and clip the vinyl on to the leg and aluminium assembly

5.



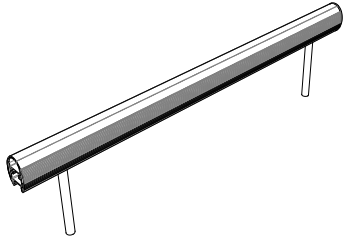
Using 2 screws (FXG-CSR) install the aluminium End Cap into the end of the assembly

Installation Guide

CartStopRE

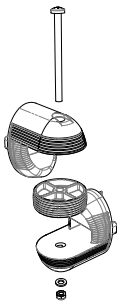


6.



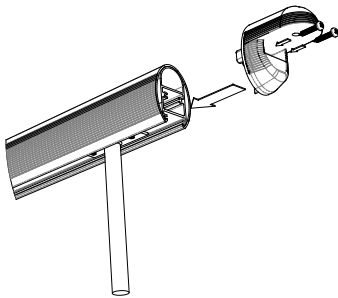
Repeat steps 1.0 - 5.0 for returning rail

7.



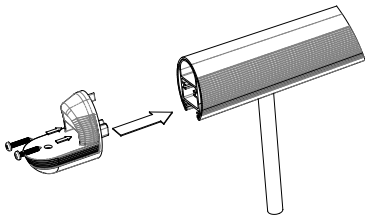
Disassemble Roller Corner

8.



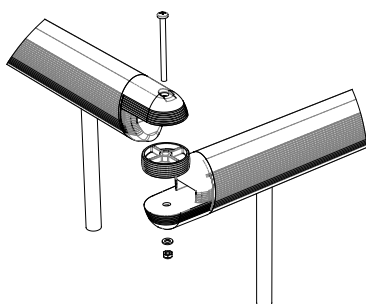
Using 2 screws (FXG-CSR) install 1 half of the Roller Corner into the open end of the first rail

9.



Using 2 screws (FXG-CSR) install the remaining half of the Roller Corner into the other rail assembly except this time ensure the part is installed upside down

10.



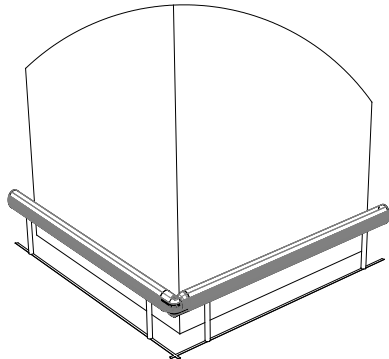
Re assemble the Roller Corner and assemble rails
Ensure the 'Roller Wheel' is installed between the 2 halves of the Roller Corner

Installation Guide

CartStopRE

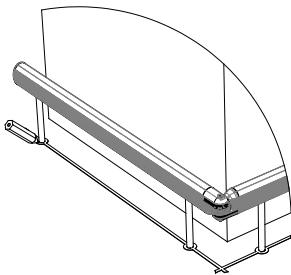


11.



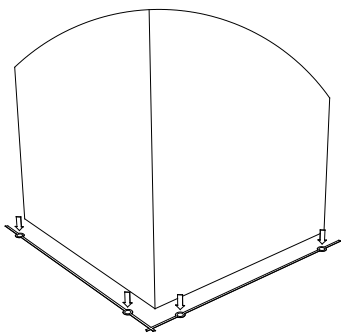
Position the RE assembly on the marked chalk line ensuring the legs are centred on the line

12.



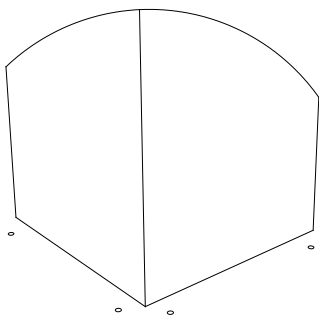
Mark each one of the leg positions

13.



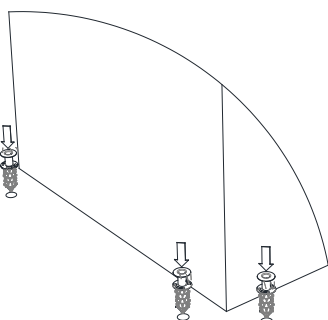
Using an SDS hammer drill and a 30mm SDS drill bit drill the marked leg points for the fixing holes

14.



Clear away all drilling debris and clear away marked chalk line

15.



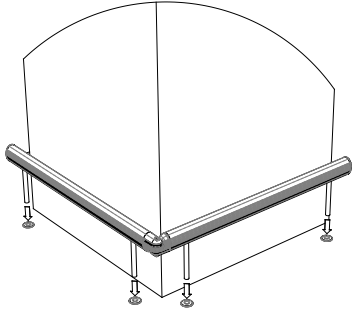
Using a rubber mallet install the Stainless Steel Flanges into the Shock Absorbing Flange Anchors and into the drilled fixing holes (Insert the Stainless Steel Flanges into the Flange Anchors and fixing holes first by hand before malleting secure)

Installation Guide

CartStopRE

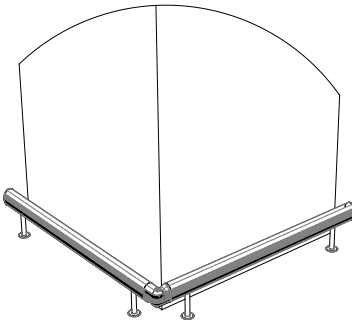


16.



Install the assembled rail into the installed Stainless Steel Flanges and Flange Anchors
(The installed legs may require loosening to align - tighten again once installed)

17.



INSTALLATION COMPLETE
Ensure installation is left clear and free of debris